

# HP ProCurve Networking

Networking solutions for small and growing businesses

- A network you can depend on .....2
- Essential network connectivity .....3
- Improved network performance  
for growing businesses .....4
- Increased security .....5
- Flexible wireless connectivity .....6
- Converged communications .....9
- HP ProCurve Customer Care ..... 10



# Your company's competitive advantage?

## A network you can depend on.

Driving the success and growth of small- to medium-sized businesses presents a unique set of challenges—not the least of which is installing a reliable, no-nonsense network. As the backbone of your business, it will seamlessly connect your employees, vendors, and customers; protect and enable the sharing of company-critical information; increase productivity; position your organization for growth; and keep the competition on their toes.

HP ProCurve Networking understands completely. For more than 25 years, ProCurve has delivered reliable, plug-and-play network solutions to small- and medium-sized businesses throughout the world. With enterprise quality at an affordable price, HP ProCurve solutions can help take you as far as you want to go.

Consider these questions:

- Is your network limiting productivity?
- Are you concerned that your company or customer data is vulnerable?
- Do you need to give your workers greater wireless flexibility?
- Do you have confidence in your network's reliability?
- Are you installing a network for the first time?
- Are you considering deploying networked voice and video applications?

Whatever your business objectives and challenges, HP ProCurve has a portfolio of solutions specifically designed for your company or organization. Choosing HP ProCurve as your trusted partner lets you focus your expertise and time where it belongs—on your business.

# Essential network connectivity

Share files. Share knowledge. Share resources. Bottom line: increase productivity.

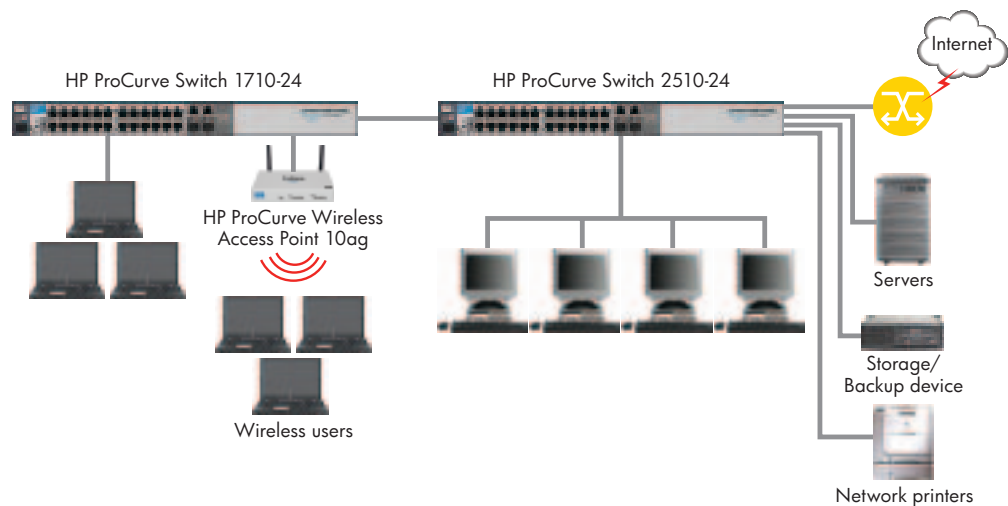
## Scenario:

Your company is growing—more employees, more computers, more printers. Without a network, employees are unable to access each other via email, share files, share printers, or access the Internet, limiting productivity.

## Solution:

The benefits of creating a network for your business are far reaching. An HP ProCurve network allows your company to:

- Exchange ideas and documents over email
- Access the Internet for quick and easy research
- Share a high-performance print device and eliminate individual desktop printers for each employee
- Easily add an HP ProCurve wireless access point, if mobile workers or guests require wireless connectivity



## Essential network connectivity products:

- **HP ProCurve Switch 2510 Series:** ideal for managed 10/100 connectivity
  - Fully managed, yet easy to set up and configure
  - Provides choice of simple Web configuration, more comprehensive command line interface (CLI) configuration, or network-wide configuration and monitoring using HP ProCurve Manager (PCM)
  - Security via network segmentation, management, and authentication
  - Quiet, fanless design of the 24-port model is ideal for open-office deployments
- **HP ProCurve Switch 1700 Series:** ideal for basic capabilities and management
  - Web-managed switches configured through an intuitive Web management interface
  - Quiet, fanless design is ideal for open-office deployments
  - 1700 series offers 10/100 connectivity
- **HP ProCurve Wireless Access Point 10ag:** ideal for deploying wireless connectivity that is easy to set up and manage
  - Basic, secure, reliable IEEE 802.11a and 802.11b/g wireless connectivity
  - Quick deployment using a simple, streamlined, and intuitive Web interface

# Improved network performance for growing businesses

Is your business pushing the limits of its existing network? It's time to upgrade to Gigabit.

## Scenario:

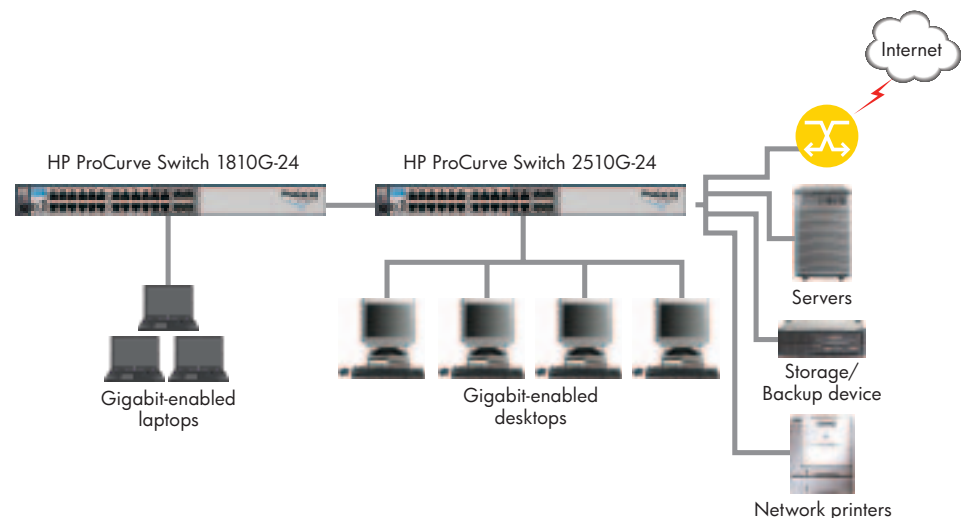
Your employees need to share data and large files with each other and between numerous printers, scanners, data storage devices, and servers. It seems that network traffic is always heavy. Employees—and clients—are getting frustrated with the slow network.

## Solution:

Improve the performance of your network to help employees connect with each other and to network resources quickly and easily with HP ProCurve Gigabit switches. HP ProCurve Gigabit network performance

is all about greater efficiency, greater productivity, investment protection, and the ability to improve customer service.

- Exchange large files without hesitation—and without a wait on the part of recipients.
- Handle bandwidth-hungry applications such as graphical data, video streams, large databases, and data storage with ease.
- Realize greater performance from any Gigabit-enabled devices that are connected to the network, including PCs, laptops, printers, and servers.



## Improved network performance products:

- **HP ProCurve Switch 2810 Series:** ideal for small and midsized businesses that require more advanced network monitoring and configuration
  - Sophisticated network monitoring using sFlow and HP ProCurve Network Immunity Manager
  - Scalability with support for 256 VLANs and more granular QoS priority
  - Advanced security with support for source port filtering
  - Optional redundant power supply
- **HP ProCurve Switch 2510G Series:** ideal for small and midsized businesses that are ready to upgrade to managed Gigabit
  - Offers a reliable and affordable path for upgrading to increased network performance
  - Facilitates large file transfers and high-bandwidth applications, such as graphical data, video streams, large databases, and data storage

- Secure connectivity with multiple authentication methods and protected ports to segment network traffic
- Fully managed, yet easy to set up and configure
- Provides choice of simple Web configuration, more comprehensive CLI configuration, or network-wide configuration and monitoring using HP ProCurve Manager and other SNMP-based applications
- **HP ProCurve 1810G Switch Series:** ideal for basic capabilities and management
  - Web-managed switches configured through an intuitive Web management interface
  - Quiet, fanless design is ideal for open-office deployments
  - 8-port version can be powered by PoE for flexible deployment options
- **HP ProCurve Switch 1400 Series:** ideal for basic, unmanaged connectivity
  - Plug-and-play Gigabit, with no configuration capabilities

# Increased security

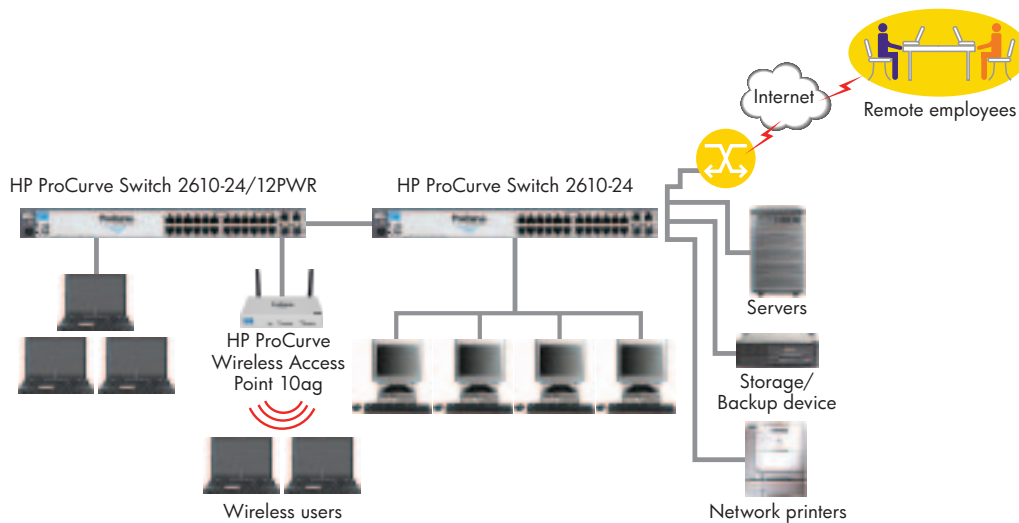
How do you control who has access to your network? Is your sensitive data secure?

## Scenario:

As an online retailer, you worry about protecting your customers' most valued asset—their private data. You have heard about hackers stealing credit card numbers and other valuable data, but you are unsure of how to prevent such an attack on your own network.

## Solution:

HP ProCurve protects your information and assets with trusted industry-standards-based security solutions for wired and wireless networking. HP ProCurve weaves security capabilities throughout its network infrastructure—security is built in, not bolted on; and ProCurve puts more intelligence and security at the edge of the network—the first line of defense where users connect.



## Increased security products:

- **HP ProCurve Switch 2610 Series:** ideal for businesses that require flexible, full-featured network connectivity
  - Robust security capabilities to control who has network access and what business assets each user should have permission to access
  - Options for protecting your network, including access control lists (ACLs) and port monitoring for detecting and mitigating network threats using HP ProCurve Network Immunity Manager

- **HP ProCurve Wireless Access Point 10ag:** ideal for deploying wireless connectivity with easy setup and management
  - Basic, secure, reliable IEEE 802.11a and 802.11b/g wireless connectivity
  - Quick deployment using a simple, streamlined, and intuitive Web interface
  - Supports industry-standard wireless security protocols such as WEP and WPA/WPA2 to help ensure that only authorized users can access the network

# Flexible wireless connectivity

Wireless connectivity allows you to avoid the cost and hassle of running wires throughout your building, while allowing your clients, vendors, and employees easy and secure access to the Internet and connection to the network regardless of which building or conference room they may be in.

## Scenario:

Your company has four branch offices with more than 60 employees. You have vendors and clients who often need Internet access while in your offices for meetings. You want to give employees, vendors, and clients the flexibility to connect wirelessly from anywhere within the office while still protecting your network and company data.

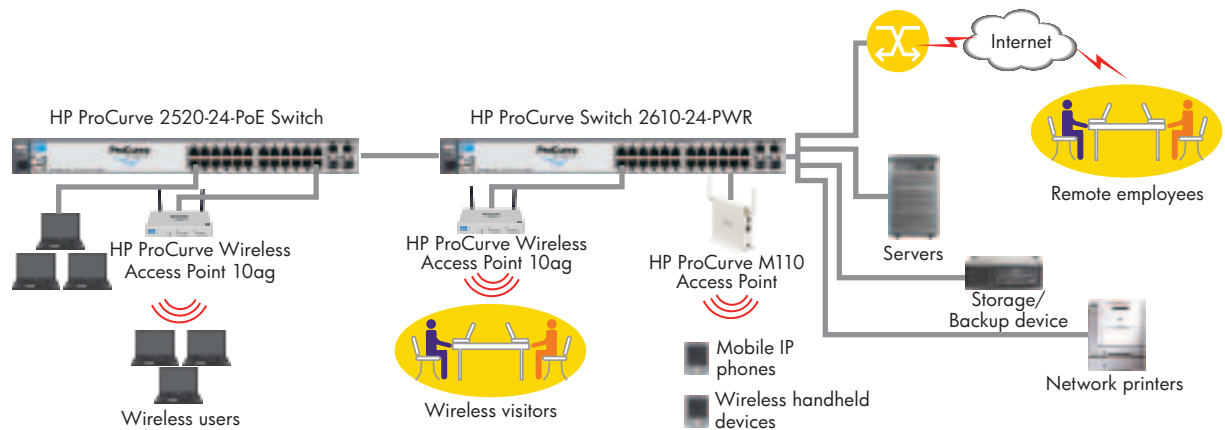
## Solution: simple wireless connectivity

HP ProCurve's mobility solutions encompass an integrated set of products, providing design, deployment, and management that is secure and

fast, and which provides appropriate levels of access for wireless network users.

- Increase employee productivity and flexibility by supporting wireless laptops, PDAs, and mobile devices
- Enable employees to connect to the company network easily and access the information they need—regardless of which building or conference room they are in
- Allow visitors to log on as well, with the network providing the appropriate level of access, while still safeguarding areas of the network that are intended exclusively for employees

## Independent access point-based deployment



## Simple wireless connectivity products:

- **HP ProCurve Switch 2610 Series:** ideal for businesses that require flexible, full-featured network connectivity
  - Power over Ethernet (PoE) capability eases physical deployment limitations for wireless access points due to lack of a nearby power outlet
  - Flexible PoE options with standard 24- and 48-port PoE models and a hybrid switch with 12 ports of 10/100 PoE and 12 standard Ethernet ports
- **HP ProCurve 2520 Switch Series:** ideal for businesses that need cost-effective PoE for their wireless deployments
  - PoE capability eases physical deployment limitations for wireless access points due to lack of a nearby power outlet
  - Provides choice of either Gigabit or Fast Ethernet connectivity in 8- or 24-port form factors
- Security via network segmentation, management, and authentication
- **HP ProCurve M110 Access Point:** ideal for simple, secured wireless connectivity with easy setup and management
  - Single-radio IEEE 802.11a/b/g wireless connectivity with robust security
  - Flexible power options using either the standard AC power or IEEE 802.3af PoE
  - Easy to set up and configure
- **HP ProCurve Wireless Access Point 10ag:** ideal for deploying wireless connectivity with easy setup and management
  - Basic, secure, reliable IEEE 802.11a and 802.11b/g wireless connectivity
  - Quick deployment using a simple, streamlined, and intuitive Web interface

**Scenario:**

Your business is growing. You want a scalable wireless solution that protects your existing product investment and offers easy migration to high-performance IEEE 802.11n wireless connectivity when your business demands it. You also want an easy way to manage guest users as well as a secured wireless network for employees, customers, and visitors who access your network.

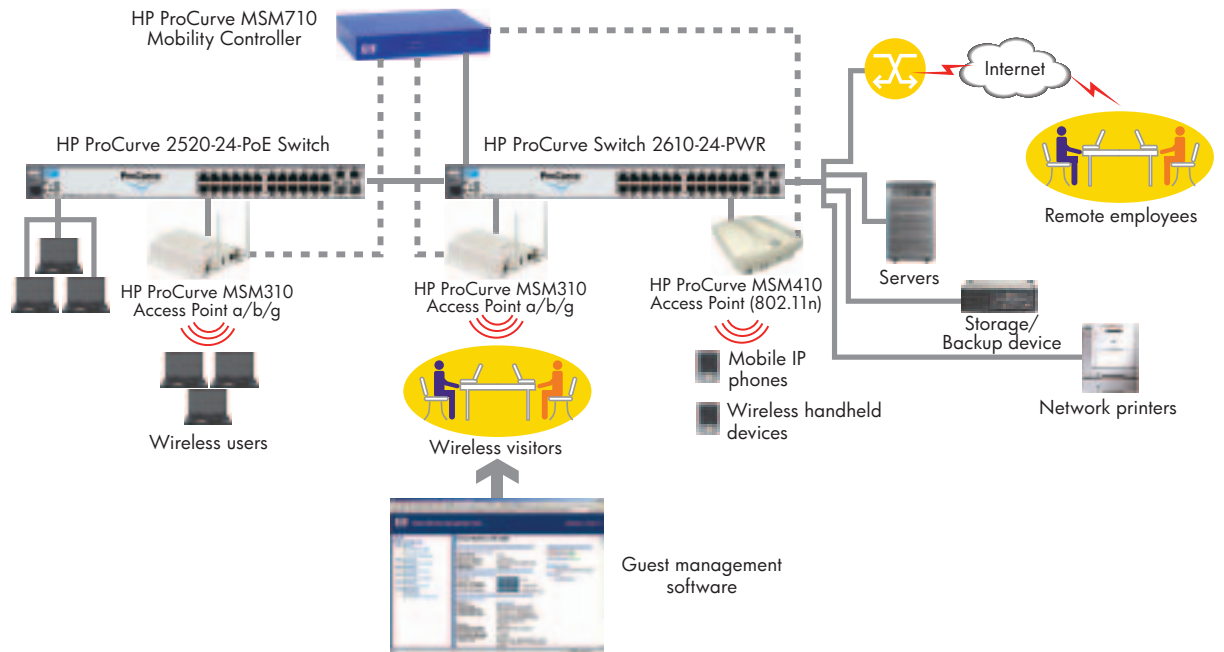
**Solution: flexible, scalable, and secure wireless connectivity**

HP ProCurve’s scalable mobility solution provides cost-effective mobility with a smooth technology upgrade path. You can start by deploying intelligent MultiService Mobility (MSM) access points in a standalone network configuration. Then, as business growth requires more access points, you can add an MSM controller for easy centralized management of

the entire wireless network. Your initial investment is protected, because MSM access points are easily reconfigured to work with the controller. The controller solution features easy deployment and management, investment protection, and rock-solid security.

- Scalable, distributed wireless architecture with intelligent access points gives you the flexibility to convert from independent access points to an advanced, centrally managed mobility solution
- The intelligent access points forward wireless traffic directly without rerouting to the controller and thus provide high performance and an easy migration path to IEEE 802.11n technology
- Simplified and central management of your access points by the HP ProCurve MSM710 Mobility Controller reduces the complexity of managing your wireless network

**Controller-based deployment**



**Flexible, scalable, secure wireless connectivity products:**

- **HP ProCurve Switch 2610 Series:** ideal for businesses that require flexible, full-featured network connectivity
  - Power over Ethernet (PoE) capability eases physical deployment limitations for wireless access points due to lack of a nearby power outlet
  - Flexible PoE options with standard 24- and 48-port PoE models and an affordable hybrid switch with 12 ports of 10/100 PoE and 12 standard Ethernet ports
- **HP ProCurve 2520 Switch Series:** ideal for businesses that need cost-effective PoE for their wireless deployments

- PoE capability eases physical deployment limitations for wireless access points due to lack of a nearby power outlet
- Provides choice of either Gigabit or Fast Ethernet connectivity in 8- or 24-port form factors
- **HP ProCurve Switch 2510 Series:** ideal for businesses that do not require PoE for their wireless deployments
  - Fully managed, yet easy to set up and configure
  - Provides choice of simple Web configuration, more comprehensive command line interface configuration, or network-wide configuration and monitoring using HP ProCurve Manager Plus
  - Security via network segmentation, management, and authentication



- **HP ProCurve MSM310 Access Point:** ideal for businesses that require scalable, high-performance IEEE 802.11a/b/g wireless connectivity yet simple plug-and-play deployment
  - Power options using either standard AC power or IEEE 802.3af PoE
  - Can be centrally managed by the MSM710 controller
- **HP ProCurve MSM410 Access Point:** ideal for businesses that require scalable high-performance IEEE 802.11n wireless connectivity yet simple plug-and-play deployment
  - Flexible power option with IEEE 802.3af PoE
  - Integrated antennas provide robust wireless coverage
  - Can be centrally managed by the MSM710 controller
- **HP ProCurve MSM710 Mobility Controller:** ideal for businesses that require central management, guest access, roaming, robust security, easy setup and deployment of their wireless network
  - Scalable, distributed wireless architecture furnishes excellent investment protection for IEEE 802.11n deployments
  - Low deployment and operational cost
- **Guest management software:** ideal for businesses that require a secure yet simple way to create and manage guest-user accounts
  - Intuitive user interface allows authorized user with minimal training to create and monitor guest accounts, thus freeing technology staff to concentrate on strategic tasks
  - Customized printing of the guest session vouchers

# Converged communications

Considering implementing IP phones, wireless access points, or video cameras? You'll need a convergence solution that allows you to transmit voice, video, and data on the same network—that means choosing smarter switches with a slightly more robust feature set.

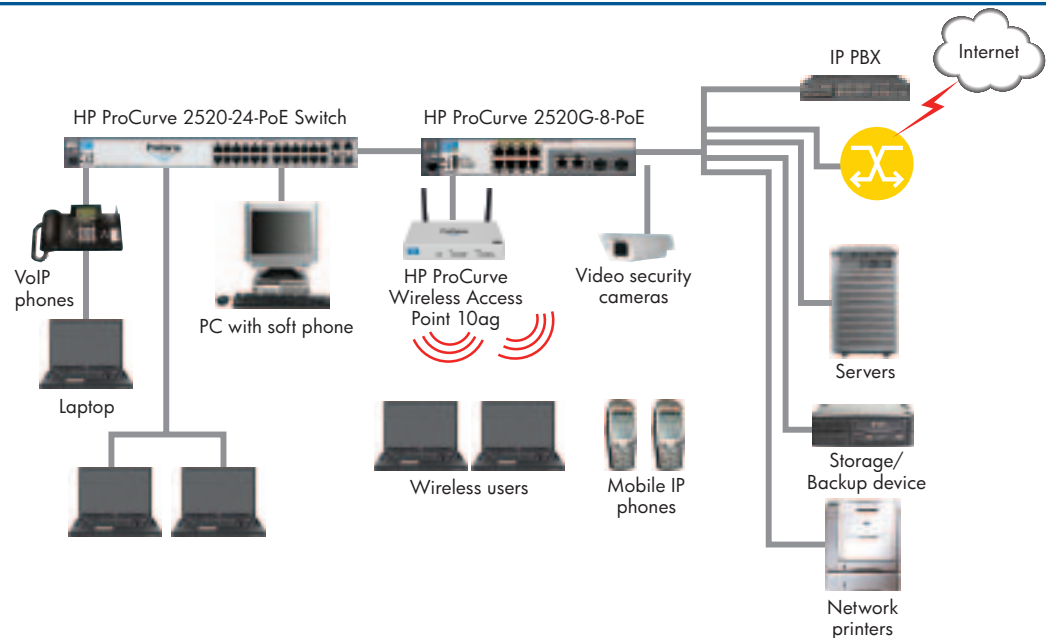
## Scenario:

The network requirements are increasing for your growing business—you want to integrate more things onto one converged network. You have customer-facing needs such as integrated point of sale and wireless scanners. In the back office you need desktop computers, wireless laptop computers, printers, and digital inventory control. And there's building access control, security cameras, and Voice over IP telephony. Can your current network handle the load?

## Solution:

HP ProCurve offers a simplified network infrastructure design that accommodates cost-effective voice, video, and data applications. It delivers robust reliability through open-standards technology and enables secure deployment of both existing and emerging applications.

By using your data network to transmit voice and video, you may achieve significant long-term cost savings. Industry estimates show that implementing a VoIP solution can actually reduce intra-office communications costs by as much as 60%. In addition to cost savings, IP networks can be easier to maintain than voice networks.



## Converged communications products:

- **HP ProCurve Switch 2610 Series:** ideal for businesses that require flexible, full-featured network connectivity
  - Supports key convergence capabilities such as Power over Ethernet (PoE), multicast, and advanced quality of service (QoS)
  - Enables convergence applications such as IP telephony, wireless access points, and video streaming for security camera deployment
  - Available in 24- and 48-port models with and without PoE
- **HP ProCurve 2520 Switch Series:** ideal for businesses looking for cost-effective PoE solutions
  - Supports key convergence capabilities such as PoE, multicast, and basic quality of service
- **HP ProCurve Wireless Access Point 10ag:** ideal for deploying wireless connectivity with easy setup and management
  - Provides basic, secure, reliable IEEE 802.11a and 802.11b/g wireless connectivity
  - Quick deployment using a simple, streamlined, and intuitive Web interface
  - Easy and flexible power options using either a standard AC power outlet or PoE provided by the connecting switch
- Enables voice, video, and wireless applications requiring PoE connectivity
- Available in both Fast Ethernet and Gigabit models in both 8- and 24-port form factors

## HP ProCurve Customer Care

### HP ProCurve warranty

HP ProCurve networking products come with hardware warranties you would expect from HP. Our industry-leading HP ProCurve Lifetime Warranty\* features next-business-day advance replacement (available in most countries)\*, and includes coverage for fans and power supplies for the entire warranty period. HP ProCurve products have legendary HP quality, and our warranty is one way of demonstrating it.

### HP ProCurve support

Our warranty, though, is just the beginning of what we include with our products. To help make it easier for you to implement, use, and maintain our products, we also include many support features with our products such as self-help tools, which are available 24 x 7 on the Web, telephone support, email support, electronic case submission, and software releases.

Refer to the HP website at [www.hp.com/go/procurve/contact-support](http://www.hp.com/go/procurve/contact-support) for details on how to contact HP ProCurve technical support via telephone and at [www.hp.com/go/procurve/email-support](http://www.hp.com/go/procurve/email-support) for email support and electronic case submission.

### HP network services

Today's enterprise businesses, regardless of their size, are under increasing pressure to reduce the cost and complexity of supporting their network infrastructures. The benefits of the ProCurve Lifetime Warranty\* provide a robust foundation for significantly reducing and, in many cases, eliminating ongoing network support costs. However, many customers have advanced support needs. HP offers an affordable, comprehensive portfolio of networking services for organizations of all sizes. HP provides customers with a unique services advantage. HP is the only technology vendor that can provide integrated support for your entire technology infrastructure, including multivendor networking, servers, and storage, to help you grow your business with expert support that is affordable, personal, and scaled to your needs.

HP Care Pack Services provide an easy-to-buy, easy-to-use portfolio of packaged services that extend and enhance the warranty coverage on HP hardware—at a price you can afford. We scale enterprise-strength expertise to provide you with everything from supplemental service to a virtual technology staff. When we care about technology, you gain peace of mind. And that frees you up to do what really matters: run your business.

### Deployment and Installation Care Pack Services

- Factory Express Service
- Installation
- Installation and Startup Service

### Hardware Support Care Pack Services

- Next Business Day Exchange
- Next Business Day Onsite
- 4-Hour Same Business Day Onsite (13x5)
- 4-Hour 24x7 Same Day Onsite
- 6-Hour Call-to-Repair

### Software Support Care Pack Services

- 24x7 or 9x5 Software Technical Phone Support
- Software Subscription Services

### Combination Hardware and Software Support Care Pack Services

- Support Plus
- Support Plus 24

### Mission Critical Support

- Proactive 24
- HP Critical Service

To get more details on HP Network Services available in your country, please visit the Web at [www.hp.com/go/procurve/services](http://www.hp.com/go/procurve/services) or contact your local HP ProCurve reseller.



\* For as long as you own the product, with next-business-day advance replacement (available in most countries). The following hardware products have a five-year hardware warranty for the disk drive and lifetime hardware warranty (for as long as you own the product) for the rest of the module: HP ProCurve ONE Services zl Module, HP ProCurve Threat Management Services zl Module, and HP ProCurve MSM765zl Mobility Controller. The following hardware products and their related series modules have a one-year hardware warranty with extensions available: HP ProCurve Routing Switch 9300m series, HP ProCurve Switch 8100fl series, HP ProCurve Network Access Controller 800, and HP ProCurve DCM Controller. The following hardware products have a one-year hardware warranty with extensions available: HP ProCurve M111 Client Bridge, HP ProCurve MSM3xxR Access Points, HP ProCurve MSM7xx Mobility and Access Controllers, HP ProCurve RF Manager IDS/IPS Systems, HP ProCurve MSM Power Supplies, HP ProCurve 1-Port Power Injector, HP ProCurve CNMS Appliances, and HP ProCurve MSM317 Access Device. Standalone software, upgrades, or licenses may have a different warranty duration. For details, refer to the ProCurve Software License, Warranty, and Support booklet at [www.procurve.com/warranty](http://www.procurve.com/warranty).

\* Response times are based on local standard business days and working hours. Response times begin once HP has completed confirming the warranty failure and identifying the replacement part. Response time is based on commercially reasonable effort and subject to a daily shipment cutoff time. In some countries and regions and under certain supplier constraints, response time may vary. If your location is outside the customary service zone, response time may be longer. Contact your local HP service organization for response time availability in your area.

	10/100 fixed	Power over Ethernet (PoE)	Gigabit	Power over Ethernet (PoE)	Multi-speed chassis
Managed Layer 3	 HP ProCurve Switch 2610-48 (J9088A)	 HP ProCurve Switch 2610-48-PWR (J9089A)	 HP ProCurve 2910al-48G Switch (J9147A)	 HP ProCurve 2910al-48G-PoE+ Switch (J9148A)	 HP ProCurve Switch 4200vl Series (J8770A/J8772A/J8773A/J8775A/J9064A/J9030A)
	 HP ProCurve Switch 2610-24 (J9085A)	 HP ProCurve Switch 2610-24-PWR (J9087A)  HP ProCurve Switch 2610-24/12PWR (J9086A)	 HP ProCurve 2910al-24G Switch (J9145A)	 HP ProCurve 2910al-24G-PoE+ Switch (J9146A)	
Layer 2	 HP ProCurve Switch 2510-48 (J9020A)	 HP ProCurve 2520-8-PoE Switch (J9137A)	 HP ProCurve Switch 2810-48G (J9022A)	 HP ProCurve 2520G-24-PoE Switch (J9299A)	<div style="border: 1px solid black; padding: 10px;"> <p><b>Ready to buy?</b></p> <p>The following table provides part numbers for all the HP ProCurve products ideal for small and growing businesses. To purchase a ProCurve solution, including those we've outlined, simply contact your local ProCurve Partner, or visit <a href="http://www.procurve.com">www.procurve.com</a>.</p> </div>
	 HP ProCurve Switch 2510-24 (J9019B)	 HP ProCurve 2520-24-PoE Switch (J9138A)	 HP ProCurve Switch 2810-24G (J9021A)  HP ProCurve Switch 2510G-48 (J9280A)  HP ProCurve Switch 2510G-24 (J9079A)	 HP ProCurve 2520G-8-PoE Switch (J9298A)	
Web managed	 HP ProCurve Switch 1700-24 (J9080A)  HP ProCurve Switch 1700-8 (J9079A)		 HP ProCurve 1810G-24 Switch (J9449A)  HP ProCurve 1810G-8 Switch (J9450A)		 HP ProCurve Wireless Access Point 10ag (J9140A/J9141A)  HP ProCurve M110 Access Point (J9385A)  HP ProCurve MSM310 Access Point (J9374A)  HP ProCurve MSM410 Access Point (J9426A)  HP ProCurve MSM710 Mobility Controller (J9325A)
	 HP ProCurve Switch 2124 (J4868A)  HP ProCurve Switch 408 (J4097C)		 HP ProCurve Switch 1400-24G (J9078A)  HP ProCurve Switch 1400-8G (J9077A)		
Unmanaged	 HP ProCurve Switch 2124 (J4868A)  HP ProCurve Switch 408 (J4097C)		 HP ProCurve Switch 1400-24G (J9078A)  HP ProCurve Switch 1400-8G (J9077A)		

**Technology for better business outcomes**

To learn more, visit [www.hp.com/go/procurve](http://www.hp.com/go/procurve)

© Copyright 2008, 2009 Hewlett-Packard Development Company, L.P. The information contained herein is subject to change without notice. The only warranties for HP products and services are set forth in the express warranty statements accompanying such products and services. Nothing herein should be construed as constituting an additional warranty. HP shall not be liable for technical or editorial errors or omissions contained herein.

4AA1-6948ENW Rev. 3, October 2009

